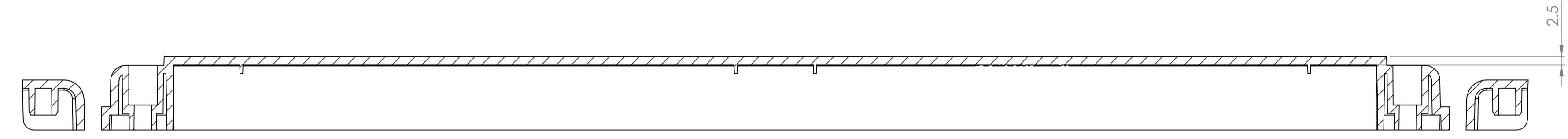
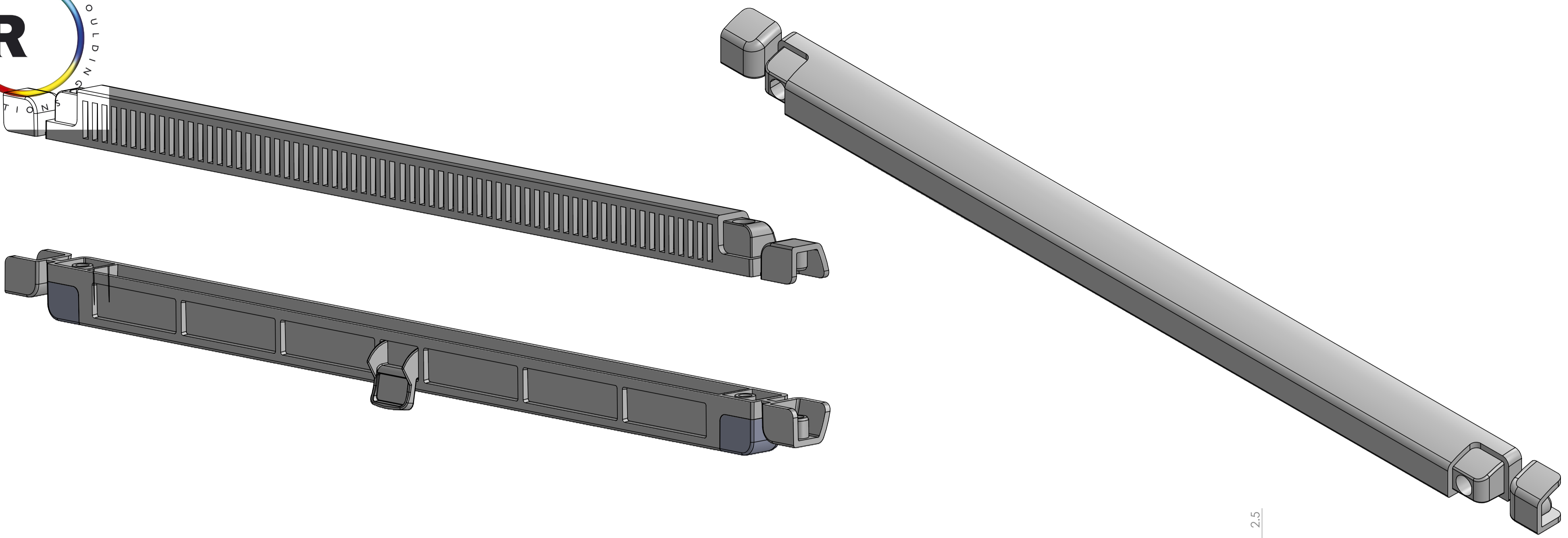


A B C D E F G H I J K L M N O P Q R S T U V W X Y Z

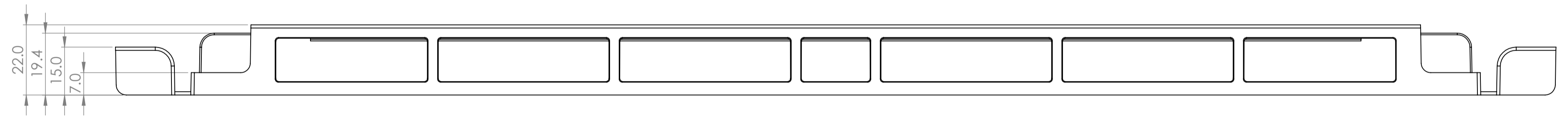
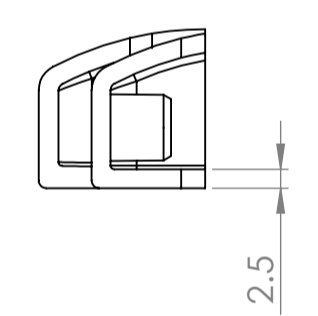
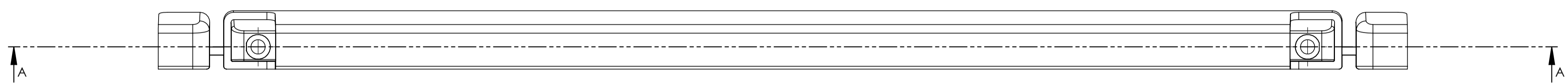
1
2
3
4
5
6
7
8
9
10
11
12
13
14
15
16
17
18



THIS DRAWING MUST NOT BE COPIED WITHOUT WRITTEN CONSENT ©



SECTION A-A
SCALE 1 : 1



COMPONENT PRODUCT CODE	MPAT2234A
TOOL No	T2234
TARGET CYCLE TIME	33 SECS

Iss	Description	DRW	APP	DATE

TOLERANCES
 0. = ± 0.5mm
 0.0 = ± 0.2mm
 0.00 = ± 0.1mm

PATTERSON & ROTHWELL LTD.			
TITLE P&R 4000 VENT BODY			
OPERATION OR EQUIPMENT		COMPONENT DRAWING	
DRAWN BY	PC	MATERIAL	SHEET No
CHECKED BY	EP	PVC/ASA	1 OF 1
SCALE	1:1	DRAWING NUMBER	
DATE	17-7-13	MPAT2234A - 1	

A1

